

CLEARMATE

UP TO 2,800 GALLONS PER DAY (10,600 LPD) OF PURE WATER

ULTRA PURE SPOT-FREE RINSING



The ClearMate utilizes the same technology as the Blue Water Desalination watermaker systems to provide ultra pure water. By softening source water, The ClearMate removes up to 99% of the remaining dissolved solids to allow for spot-free rinsing of your yacht.

- Use with dock water or existing watermaker
- Compact design
- Simple operation
- Quiet operation
- Low power consumption
- Modular installation
- 12 gauge 316 stainless steel tank
- Stainless steel vane pump
- Digital LCD controller displays
 - Water quality
 - Faults
 - Hour meter



THE NEXT EVOLUTION IN
WATERMAKER DESIGN

FULL LINE OF WATERMAKERS
FROM 200 TO 3,400 GPD

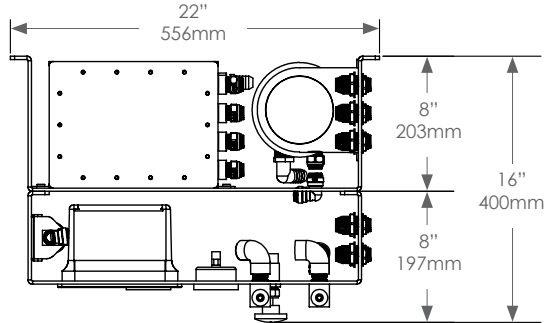
WORLDWIDE SALES, PARTS
AND EXPERT SERVICE

CLEARMATE

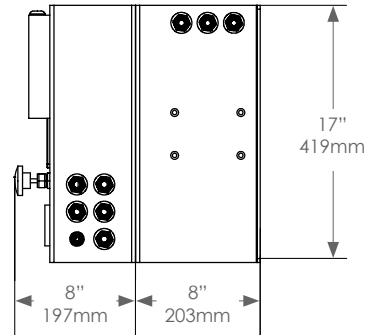
UP TO 2,800 GALLONS PER DAY (10,600 LPD) OF PURE WATER

DRAWINGS & SPECIFICATIONS

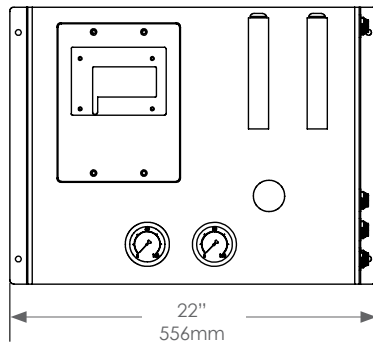
Model	Hourly Production	Daily Production	Run Amps 110V	Run Amps 220V	Weight
ClearMate 1000	42 GPH 158 LPH	1,000 GPD 3,785 LPD	10.4	5.2	90 lbs 41kg
ClearMate 2000	83 GPH 315 LPH	2,000 GPD 7,570 LPD	10.4	5.2	115 lbs 52kg
ClearMate 2800	117 GPH 442 LPH	2,800 GPD 10,600 LPD	10.4	5.2	130 lbs 59kg



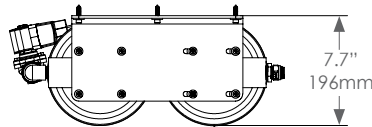
Top View



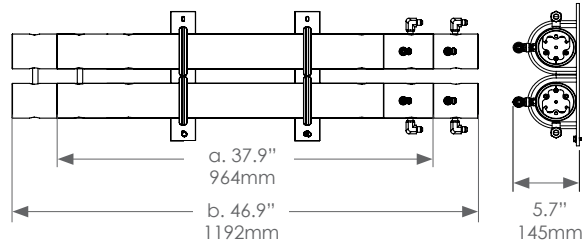
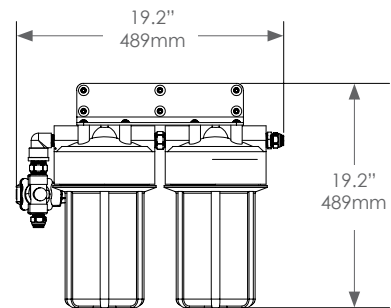
Side View



Main Control Panel



Carbon & 5 Mic Prefilter
Replacement Elements:
C102410 – Carbon Element
C103202 – 5 Micron Element



Vessel Assembly
a: 1000 / 2000
b: 2800

ADDITIONAL DRAWINGS AVAILABLE AT: BLUEWATERDESALINATION.COM/WATERMAKERS/CLEARMATE